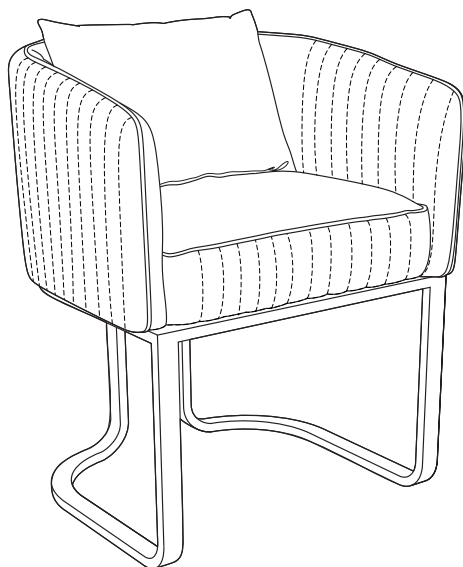




# Berwin Customer Chair



**Model:** TC11

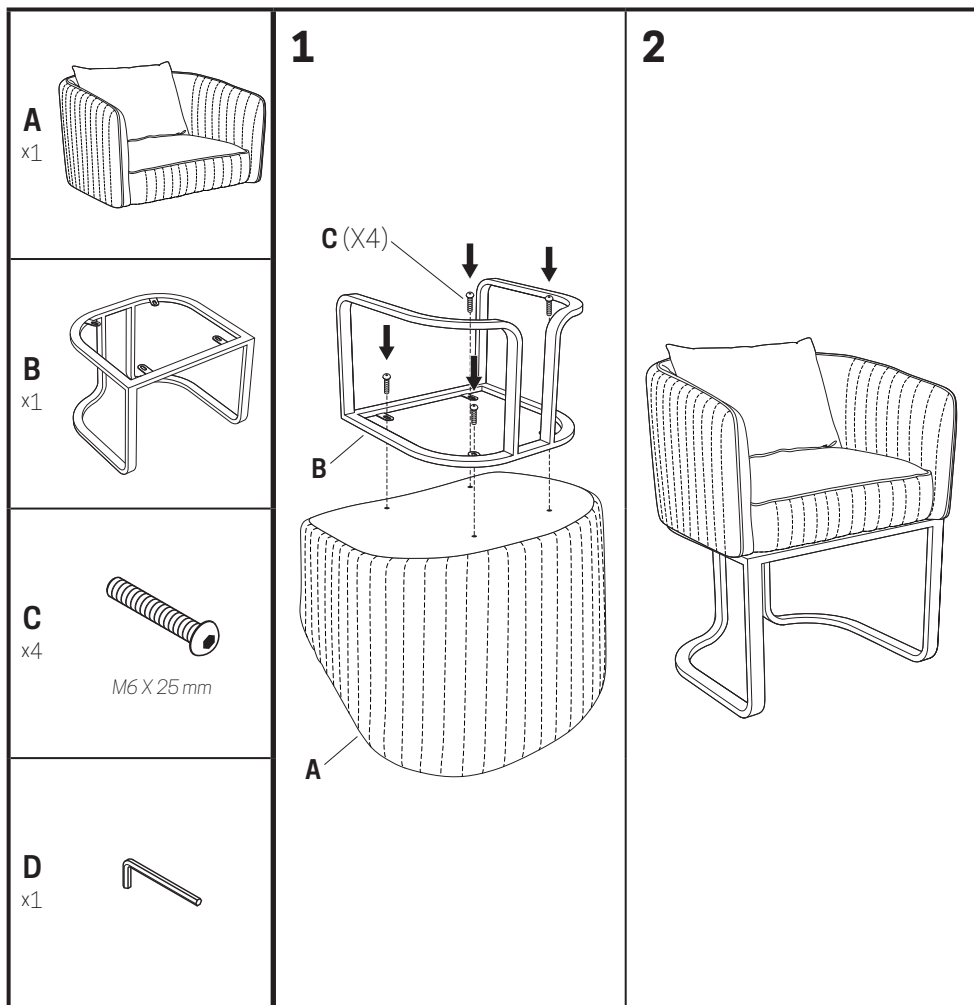
**Customization**

Black  
Chocolate  
Grey  
Khaki  
Mocha

## User Manual

Ergonomic and elegant  
manicure customer chair

# ASSEMBLY



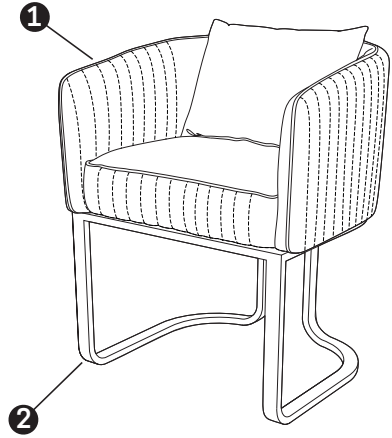
## COMPONENTS

### 1 | Seat and backrest cushioning

Soft cushioned seat and backrest with acetone resistant upholstery. Innerspring cushioning to ensure durability and preserve seat shape.

### 2 | Steel leg frame

Heavy duty steel leg frame, provides durability and stability.



## MAINTENANCE RECOMMENDATIONS

After every service, clean with a cleaning solution or sanitizer.

Regular cleaning and maintenance can help prolong chair lifespan.



### STATE OF CALIFORNIA PROPOSITION 65 WARNING

Product may contain one or more chemicals known to the State of California to cause cancer or reproductive harm. For more information, go to [www.p65warnings.ca.gov](http://www.p65warnings.ca.gov)

TECHNICAL SPECIFICATIONS		
Dimensions	Height	19.5"
	Width	28"
	Depth	18"
Maximum weight capacity	250 lb	
Acetone resistant	Yes	
Chair legs material	Steel	
Upholstering fill material	Foam	
Upholstery material	Vegan leather	
Swivel	No	
Assembly required	Yes (all required tools included)	
Wheels	No	
Warranty	6 Months	
Importer	T-SPA MFG, LLC	
Manufacturer	Anji Maochang Furniture Co., LTD	

**T-SPA<sup>®</sup>**  
**WWW.TSPALLC.COM**

T-SPA MFG, LLC  
 10510 Kinghurst Dr  
 Houston, TX 77099  
 1(888)508-8772  
 Info@tspallc.com