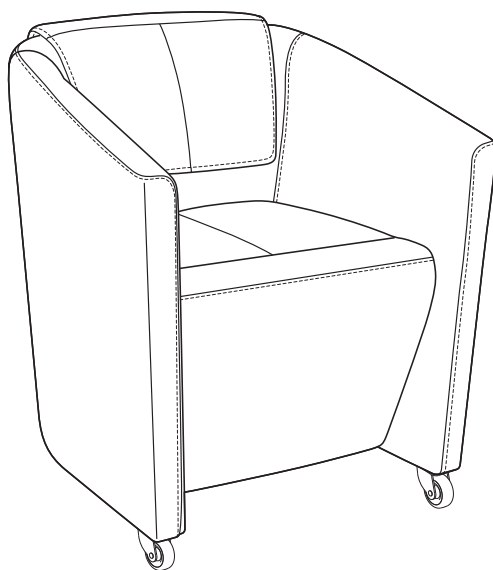




# Barron Customer Chair



**Model:** TC12

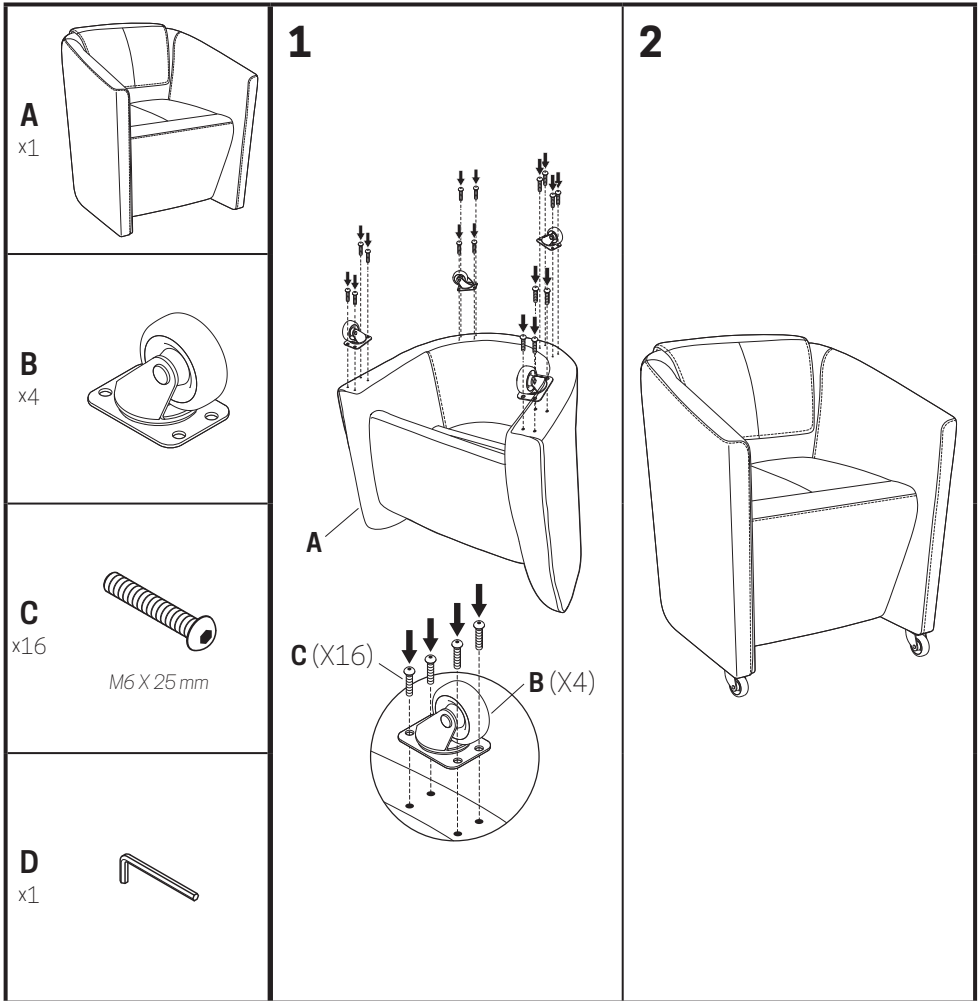
**Customization**

Black  
Chocolate  
Grey  
Khaki  
Mocha

## User Manual

Ergonomic and elegant  
manicure customer chair

# ASSEMBLY



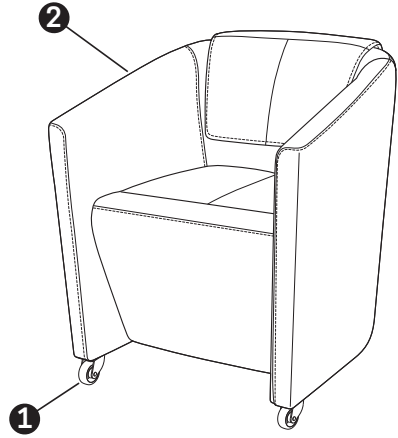
## COMPONENTS

### 1 | Wheels (x4)

Allow chair free movement. Heavy duty PU wheels.

### 2 | Seat and backrest cushioning

Soft cushioned seat and backrest with acetone resistant upholstery. Innerspring cushioning to ensure durability and preserve seat shape.



## MAINTENANCE RECOMMENDATIONS

After every service, clean with a cleaning solution or sanitizer.

Intense industrial use can wear the wheels. You should replace your chair's wheels every few years or when they start to show signs of wear and tear. Regular maintenance and checking for any issues can help prolong their lifespan.



### STATE OF CALIFORNIA PROPOSITION 65 WARNING

Product may contain one or more chemicals known to the State of California to cause cancer or reproductive harm. For more information, go to [www.p65warnings.ca.gov](http://www.p65warnings.ca.gov)

TECHNICAL SPECIFICATIONS		
Dimensions	Height	19.5"
	Width	28"
	Depth	18"
Maximum weight capacity	250 lb	
Acetone resistant	Yes	
Chair legs material	Steel	
Upholstering fill material	Foam	
Upholstery material	Vegan leather	
Swivel	Yes	
Assembly required	Yes (all required tools included)	
Wheels	Included 4 wheels	
Warranty	6 Months	
Importer	T-SPA MFG, LLC	
Manufacturer	Anji Maochang Furniture Co., LTD	

**T-SPA<sup>®</sup>**  
**WWW.TSPALLC.COM**

T-SPA MFG, LLC  
10510 Kinghurst Dr  
Houston, TX 77099  
1(888)508-8772  
Info@tspallc.com