

# USER MANUAL

PLEASE SAVE THIS MANUAL FOR FUTURE REFERENCE



## TORIN MODEL

**T-SPA MFG, LLC**  
10510-10520 KINGHURST ST  
HOUSTON, TX 77099  
1(888) 508 -8772  
[WWW.TSPALLC.COM](http://WWW.TSPALLC.COM)

# TABLE OF CONTENTS

CONTENT	PAGE
SAFETY & PRECAUTION	3
SPECIFICATION	6
IDENTIFY YOUR FOOT SPA	7
FOOT-SPA CLEARANCE	8
INSTALLATIONS	9
OPERATION & USE	14
CLEANING, MAINTERNANCE & USE	16
WARRANTY & SERVICE	17
UL CERTIFICATE	18
WARRANTY REGISTRATION FORM	19

## SAFETY & PRECAUTION

**DANGER:** Risk of Electric Shock. Connect only to a circuit protected by a ground fault circuit interrupted

**GROUNDING IS REQUIRED.** The unit should be installed by a qualified service representative and grounded.

Install to permit access for servicing.

**CAUTION:** Risk of electric shock. Disconnect electric power before servicing.

**WARNING:** Risk of accidental injury or drowning; children should not use hydro massage bathtub without adult supervision.

**WARNING:** Risk of accidental injury or drowning; do not use hydro massage bathtub unless all suction guards are installed to prevent body and hair entrapment;

**WARNING:** To avoid injury, exercise care when entering or exiting the hydro massage bathtub;

**WARNING:** Risk of accidental injury or drowning, do not use drugs or alcohol before or during the use of a hydro massage bathtub equipped with heater to avoid unconsciousness and possible drowning

**WARNING:** Risk of fetal injury; pregnant or possibly pregnant women should consult a physician before using a hydro massage bathtub equipped with heater;

**WARNING:** Risk of hyperthermia and possible drowning; do not use a hydro massage bathtub equipped with heater immediately *following* a strenuous exercise

**WARNING:** Risk of electric shock; do not permit electric appliances (such as a hair dryer, lamp, telephone, radio, or television) within 1.5M (5 feet) of this hydro massage bathtub;

**CAUTION:** Test the ground *fault* circuit interrupted protecting this appliance periodically in accordance with the manufacturer's instructions

**WARNING:** Risk of hyperthermia and possible drowning; water temperature in excess of 38°C (100.4°F) may be injurious to your health. Check and adjust water temperature before use.

**WARNING:** Risk of hyperthermia; people using medications and/or having an adverse medical history should consult a physician before using a hydro massage bathtub equipped with heater.

**Before using your new pedicure spa, please read and observe these safety instructions carefully to reduce the possibility of injury, serious bodily harm, death, fire and/or other property damage. For additional questions, please call our Technical Support Department at: 888-508-8772**

## SAFETY & PRECAUTION

**WARNING:** It is important that you carefully follow the basin cleaning procedures on page 17 to ensure that the spa is sanitized after each use. T-spa is not liable for any infections or disease that may result from improper cleaning or failure to adhere to sanitation requirements.

This pedicure spa unit should only be operated in room temperature between 40°F (4°C) and 100°F (38°C). Do not use unit outdoors or in excessively humid or dusty environments.

Do not use unit where aerosol (spray) products are being used or oxygen is being administered. Do not operate unit if it has been damaged.

Always connect this unit to a properly grounded electrical outlet.

This unit is designed only to operate on a standard 110 Volt 60Hz current. Exceeding this standard may cause injury and/or serious bodily harm and/or damage to property.

Do not use this unit if noise above normal sound is heard.

To reduce the risk of burns, fires, and electrical shock, never leave this unit unattended if plugged in and always unplug when not in use for an extended period, before installation, cleaning, or removal of parts.

Keep the power cord away from heated surfaces.

Do not operate unit if the power cord or plug has been damaged.

If this unit is operating abnormally or malfunctioning, immediately turn off the power and disconnect the power cord from the outlet; do not operate unit if it is not working properly.

In the event of a power failure, always turn the power switch to its OFF position. When not in use, always turn the power switch to its OFF position.

To disconnect unit, turn all controls to OFF position and remove power cord from the outlet. Keep all electrical devices away from this unit.

This unit only has a weight capacity of 200 pounds (90.72 kg). Enter and exit the unit slowly and carefully.

Never drop or insert any object into any opening of the unit.

Close supervision is necessary when this unit is used by, on or near children, invalids, and disabled persons. Do not stand or allow anyone to stand in the spa basin.

Please be aware that a spa basin filled with water is a potential drowning hazard.

Check the water temperature before each use; water temperature should not exceed 105°F (41°C) and water temperature in heater should not exceed 150°F (65°C).

Disinfect the spa basin and jets, after each use with an approved cleaner.

Do not massage any area of the body that is swollen, inflamed, or covered with skin eruptions. Before operating the massage chair, make sure the chair arms are down.

If there is severe discomfort during the massage, discontinue use and consult a physician. Do not use the massage chair for more than 15 minutes at one time.

Do not put hands or fingers near massage mechanism or rollers while the chair is operating; touching the mechanism can result in injury from the rollers squeezing together.

Keep the massage chair and its air openings clean and free of lint, hair, and dust; never operate the massage chair if the air openings are blocked.

Misuse or failure to properly clean pedicure spa unit may result in serious health issues, bodily injury, and/or death.

## SAFETY & PRECAUTION

### Health Risk Warning

Use of the pedicure spa unit should be pleasant and comfortable; if there is any pain or discomfort, stop use of the pedicure spa immediately.

A physician should be consulted before use of the massage chair by anyone with the following conditions: Malignant tumor, heart disease, pregnancy, Conditions requiring rest, and back disease or trouble from an injury or accident.

A physician should be consulted before use of the spa basin and jets by anyone with diabetes, swelling, fracture, or persistent pain.

Anyone with inflamed legs or feet, open wounds, or fungal infections should not use the spa basin and jets.

Misuse or failure to properly clean pedicure spa unit may result in serious health issues, bodily injury, and/or death.

### WARNING - GROUNDING INSTRUCTIONS AND METHODS:

This unit must be grounded. If it should malfunction or break down, grounding provides a path of least resistance for electrical current to reduce the risk of electric shock. All outlets connected to pedicures must include a GFCI device (Ground Fault Circuit Interrupter). This will reduce the risk of electric shock.

This unit is for use on a standard 110 Volt 60Hz current.

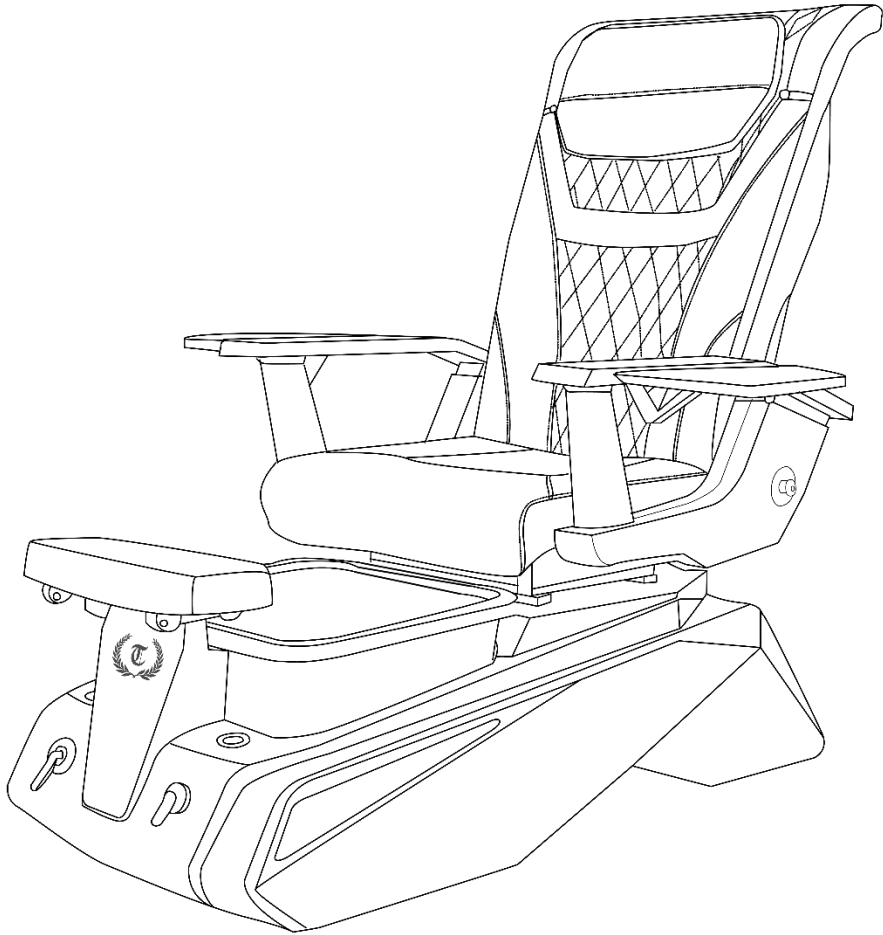
This unit is equipped with a cord having an equipment grounding conductor and a grounding plug. The plug must be plugged into an appropriate outlet that is properly installed and grounded in accordance with all local codes and ordinances.

If you are in doubt as to whether this unit is properly grounded, check with a qualified electrician or serviceman. Fatal electric shock and fire could occur with improper connection of the equipment-grounding conductor. Do not modify the plug provided with the product for any reason; if it will not fit the outlet, have a proper outlet installed by a qualified electrician.

### WARNING: THERMAL RESETTING PROTECTION DEVICE

The massage chair is equipped with a thermal resetting protection device. This is a safety feature to protect it from overheating. If the chair should suddenly stop and will not start, turn the main power switch off, and do not operate the chair for at least 30 minutes. Failure to turn the chair off may result in the chair starting unexpectedly when the device cools.

**SPECIFICATION**



Dimension & Weight (Shipping)	Pedicure Spa Massage Chair Stool	55L x 28W x 20H 44L x 31W x 24H 20.25L x 27.5W x 17H	145 lbs 176 lbs 19 lbs
Capacity of Tub Switch	200 lbs.	4.5 US Gallon On/ Off Air Activated Switch	
Power Source	Dedicated 15Amp Wall Outlet Require Pipe-less whirlpool motor Discharge Pump (Optional) Massage System	120 Vac, 0.4 Amp.60 Hz 115 Vac, 3.2 Amp.60Hz 120 Vac, 60 Hz	
Plumbing Source	Hot Water Cold Water Drain	3/8 inches 3/8 inches 1"1/4 – 1"1/2	
Warranty	Unit Optional Item	1 year 120 Days	

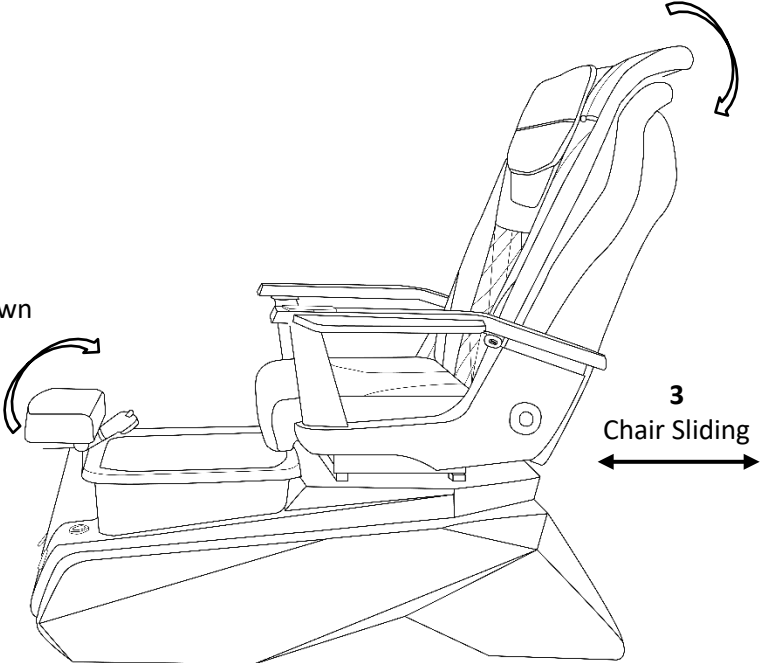
**IDENTIFY YOUR FOOT-SPA**

**SEAT OPERATION**

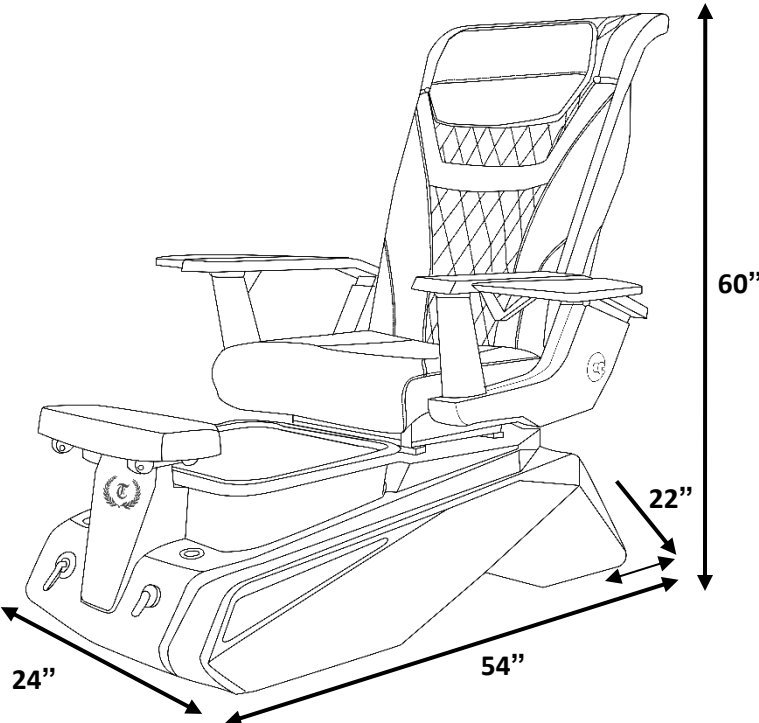
**1**  
Armrest can be raised up/down

**2**  
Reclining 25°

**3**  
Chair Sliding

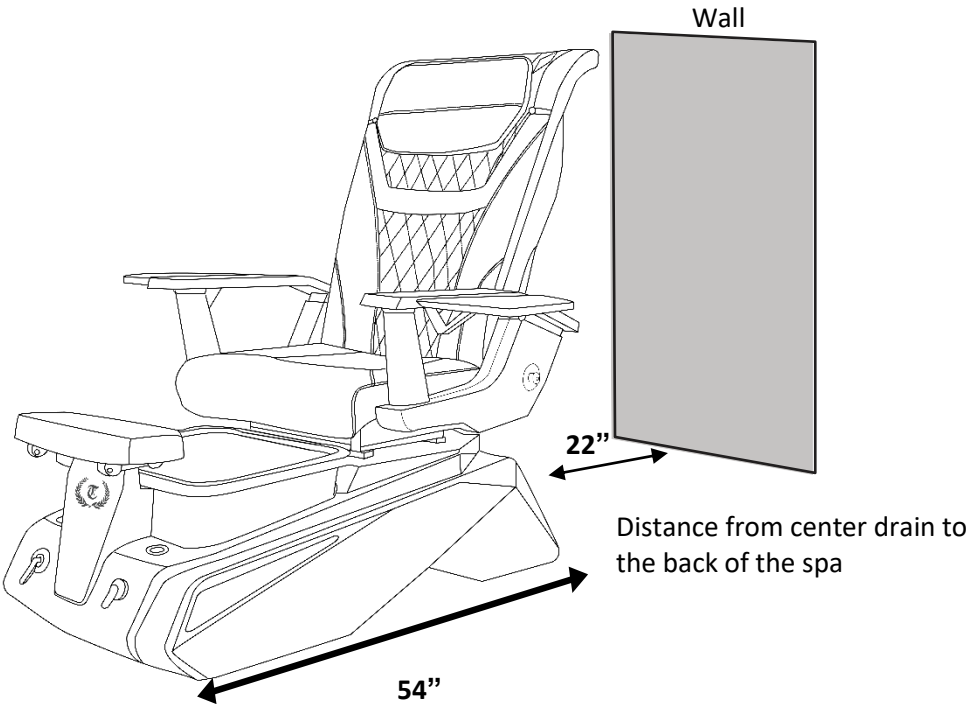


**SPA DIMENSION**

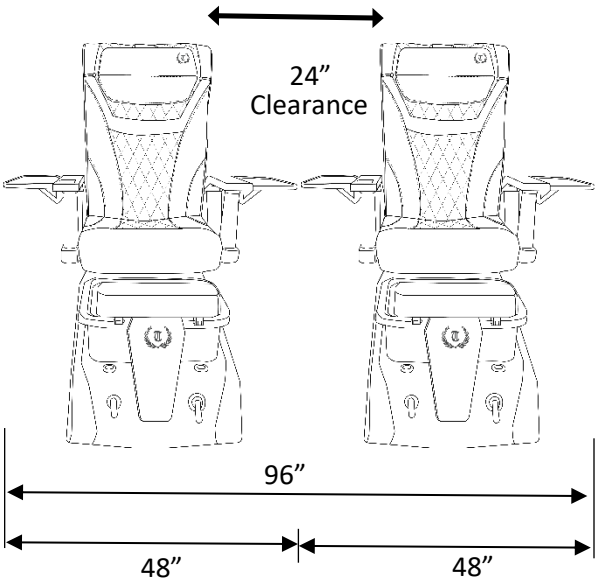


**FOOT-SPA CLEARANCE**

**WALL CLEARANCE**



**TYPICAL FOOT-SPAS**





## INSTALLATIONS

Align the seat with the pre-drilled holes on the base then tightly secure with the nuts and bolts provided. Attach trays or remote stand to armrest with screws provided.



MODEL: TORIN

## INSTALLATIONS

**When using electrical equipment, Basic safety precautions must be followed to reduce the risk of fire, electrical shock, and injury to Persons.**

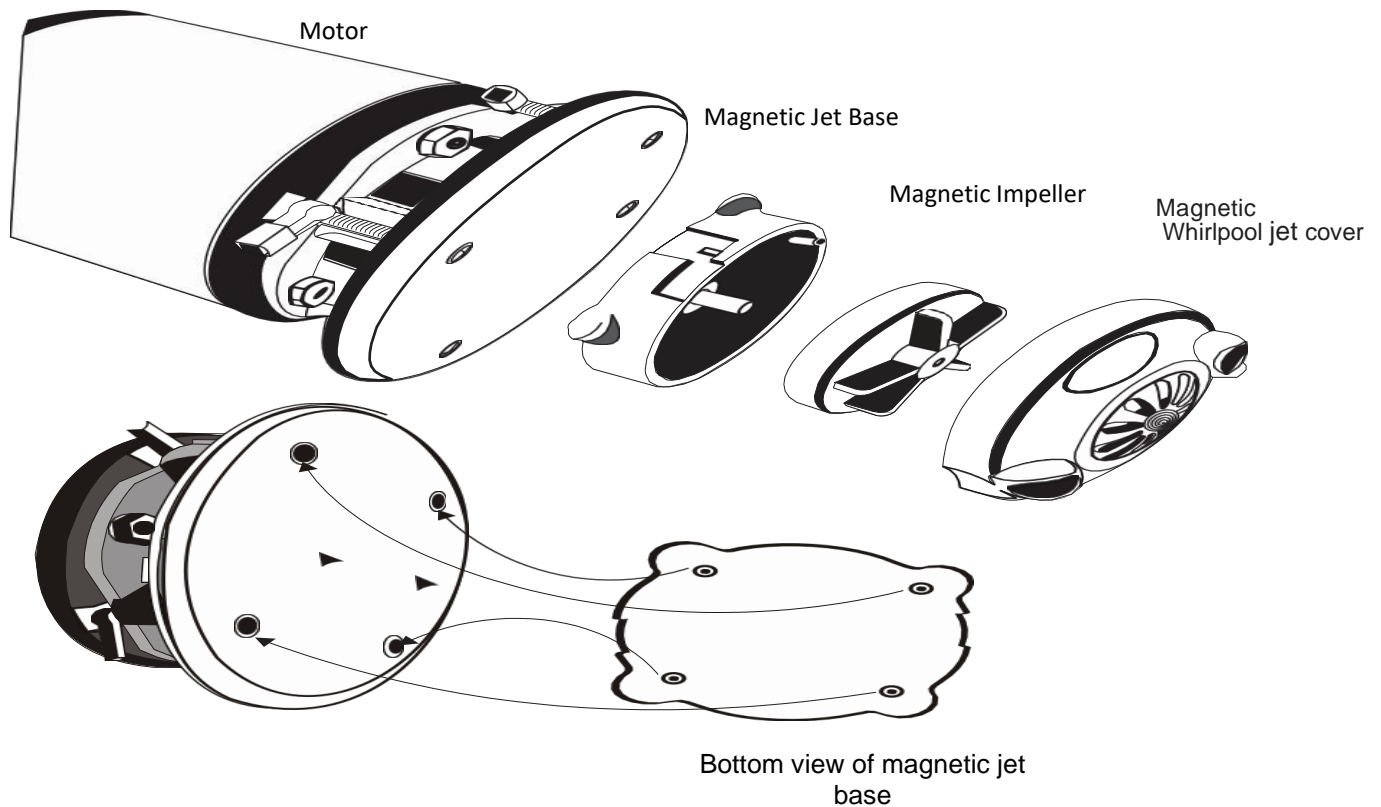
1. Read and follow all instructions before using the equipment.
2. Keep electrical cord out of heavy traffic area. To avoid fire hazard NEVER place electrical cord under the rug, near heat Generating devices.
3. Always turn power off the equipment before service.
4. Do not drop or insert any object into any openings.
5. Do not operate any equipment with damaged parts.
6. Any other use not recommended by the manufacturer may cause electrical shock or cause injury to person/s.
7. Never use it outdoors
8. Do not attempt to repair or adjust any electrical or mechanical.

### Cleaning instruction

1. Turn off the unit and wait until the motor is fully stops.
2. Hold Hydro whirlpool jet cover firmly and pull to separate from the round magnetic field.
3. Turn hydro whirlpool jet cover to left to open and pull out impeller.
4. Use Anti - Bacterial solution (EPA Registered) to clean all parts.
5. After sanitizing all parts, place impeller and close hydro whirlpool jet cover to turn right to lock
6. Hold firmly the whirlpool cover jet and gently place it onto the round magnetic field. Do not release the hydro whirlpool jet cover until Jet cover is on the round magnetic housing.

## INSTALLATIONS

### Jet Unit Components



### Magnet Jet Feature

1. Hydro dual massage jet stream
2. Magnetic whirlpool jet cover can be removed for quick cleaning and sanitizing
3. Built in electronic sensor for pump control
4. AC Whirlpool motor (long life)
5. Very low power consumption (27W)
6. Manufactured in USA

### Magnet Jet Specifications

Model: MAGNA JET -120 VAC, 60 Hz, 1.0 Amp

Pump: Hydro-Massage Dual Jet Flow

Mounting: single 3.5" hole Diameter

Auto tighten Mounting screws (4)

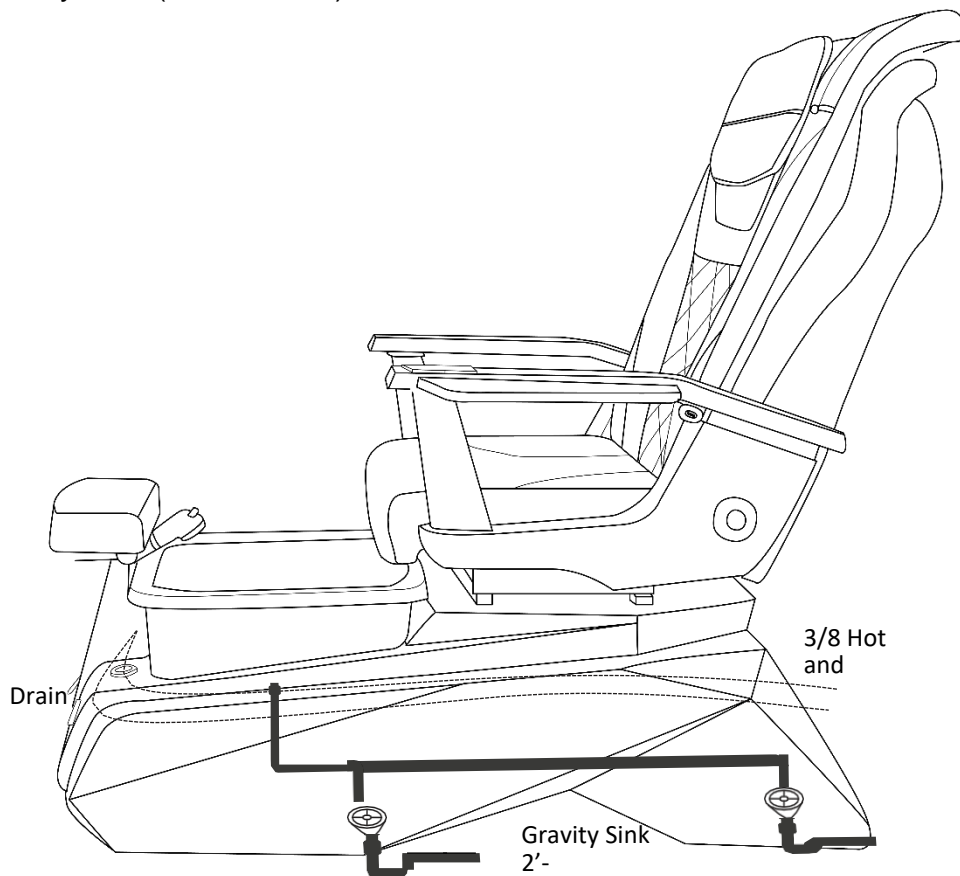
## INSTALLATIONS

### Plumbing Connections

1. Discharge pump may be connected to an existing sink drain or floor drain. It can also pump up to 7 ft high, but this will increase the length of the drain time. The drain connection is at the rear of the unit by a 3/4" fitting.
2. Gravity drain uses a standard gravity drain. A floor drain is recommended. P-Trap is not installed nor supplied. The floor drain should already have a P-Trap and the UPC codes do not allow double P-Traps in the system.
3. Hot and cold water supply connections are located at the rear of the unit (1/2" fittings). Please be advised that the hot and cold water supply lines are not fitted with optional back flow Preventers unless ordered at initial sale.
4. Have a qualified licensed electrician to install the wiring according to local codes. The Clean jets are 1/18 HP, 120V A.C., 0.55 AMP. 60HZ. GFI protected circuit must be used to supply power to the unit. The roller back massage chair uses a 115V A.C. supply.
5. Spa base should be anchored securely to the floor. The base may be anchored through the opening in the back of the base wherever access is convenient for the installer.
6. Hand held sprayer. It has complied with applicable requirements of ASME A112.18.1-2005/CSA B125.1-05

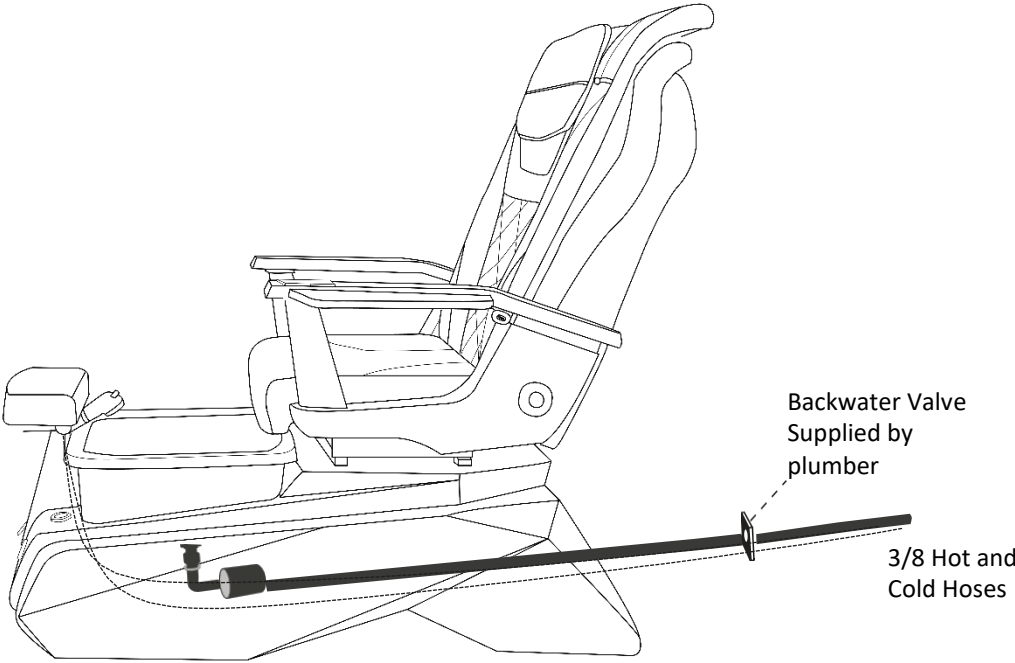
**FAILURE TO ANCHOR THE BASE MAY RESULT IN PERSONAL INJURY OR DAMAGE TO THE UNIT.  
DAMAGE AS A RESULT WILL VOID THE WARRANTY**

### Typical Gravity Sink (Direct Drain) Installation

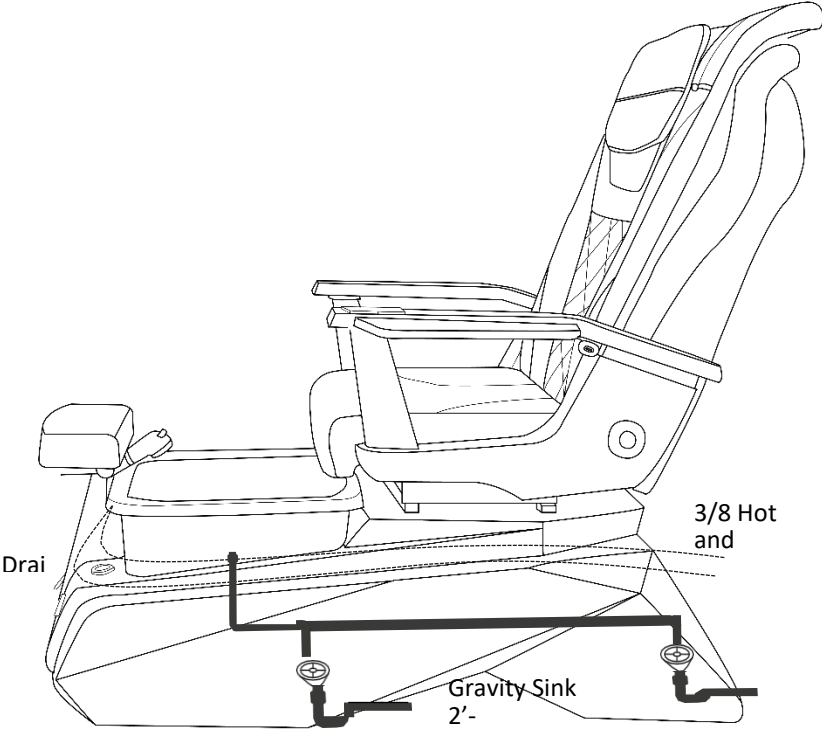


**INSTALLATIONS**

Typical Discharge Pump Installation (OPTIONAL)



0 Typical Gravity Sink (Direct Drain) Installation



**INSTALLATIONS**

Typical Vent System Installation (OPTIONAL)



## OPERATION & USE



### 1. To fill water:

The foot-spa is provided with a single hot and cold mixing valve located on the front of your spa. This is a pressure balance valve that requires you to lift the handle to start the water flow and to adjust to the temperature that is desired. The clean jet body must be completely submerged in water.

**CAUTION: DO NOT USE FOAMING, SUDSING OR MINERAL OIL BASED ADDITIVES IN THE WATER.**

### 2. To start whirlpool:

Press the button as shown. This will start your Clean Jet motor. You may stop the whirlpool function at any time by pressing the button again.

### 3. To drain Foot-spa bowl:

Turn drain control knob to "pop-up" drain plug.

- If gravity drain (no discharge pump); water in bowl empties with duration determined by waste water plumbing
- If optional discharge pump has been installed; then press discharge pump button to activate 2-minute timer-controlled pump. Average drain time approximately one minute (depending on plumbing characteristics).

### 4. The massage chair's manual book will be sent separately.

**Note: Read and Follow Chair Manual Instructions**

## OPERATION & USE

### **BASIC PRECAUTIONS SHOULD ALWAYS BE OBSERVED, INCLUDING THE FOLLOWING:**

1. Read and follow all instructions
2. **DANGER.** To reduce the risk of injury, do not permit children to use this unit unless they are supervised at all times.
3. Use this unit only for its intended use as described in this manual. Do not use attachments that are not recommended by the manufacturer.
4. Never drop or insert any object into any opening.
5. Do not block jets during whirlpool operation.
6. The unit must be connected to an electrical supply circuit that is protected by a ground fault circuit interrupter.
7. The clean jet motor is magnetically driven and is insulated twice. Therefore, it does not require to be bonded. Save these instructions



## CLEANING & MAINTENANCE & USE

Please refer the diagrams to remove jet covers for cleaning

T-spa MFG, LLC highly recommends the following cleaning regimen. You should always contact your local governing agency for their specific cleaning and disinfecting requirements and regulations for pedicure spas. For your client's safety, always use the regulations as a minimum standard for cleaning and disinfecting. Combining your states standards with the regimen listed below will provide your clients with a safe and healthy pedicure spa environment experience.

Routine maintenance:

Powdered cleansers or abrasives are **NOT RECOMMENDED**. A clean towel or sponge are all that are usually needed. A soft bristled brush may be used when excessive residue is present. Use a mild soap and water solution to clean the upholstery, but do not over wet. Wipe dry with a clean towel. No internal maintenance of the spa components is necessary. Remove clean jet caps and spray with disinfectant after each use. For extra protection, our recommendation is that the system be flushed daily or weekly depending on use. To flush the clean jet system, fill the spa with hot water to just above the jets. Add disinfectant. Run whirlpool for 15 minutes, drain and then wipe dry with clean soft cloth.

NOTE:

Cleaning or sanitizing is NOT disinfecting. According to the Centers for Disease Control and Prevention (CDC), and the US Environmental Protection Agency (EPA), disinfecting occurs only when there is a reduction of pathogenic microbes at 99.999%. Sanitizing is only a reduction of 99.9%. Cleaning of whirlpool pedicure spas requires surfactant and chelating detergents that are low-foaming and have the ability to remove body oils, organic oil additives, mineral oil, skin cells, nail clippings etc. that can accumulate both in the basin and the jets which may become a fertile area for microorganisms to grow

The use of oil-based products can build up in the whirlpool system, causing clogging in the jets. Adherence to the above cleaning will minimize build up. Gulfstream Inc. does not recommend the use of mineral oil-based products.

TESTING/FLUSHING FOOT SPA

After the foot spa has been installed, fill tub with water just above the jets. Carefully check for leaks at the drain and motor mount. After checking underside for leaks, turn on system by pushing whirlpool button and watch for leaks as water circulates. Let tub run full cycle. Open drain plugs for water discharge.

## WARRANTY & SERVICE

T-spa warrants to the original purchaser that the new pedicure spa will be free from defect during the Standard Warranty Period (listed below). The shipping date and the uniquely coded Serial Number on the back of each spa chair will justify the start of the warranty period for the product. The warranty is null and void if the pedicure spa is taken from its initial place of installation, or it is not installed in accordance with federal, state or local codes and ordinances. Also, this warranty does not apply if the pedicure spa has been subject to misapplication, improper installation or maintenance, negligence, improper cleaning or other circumstances beyond Gulfstream's control.

### WARRANTY

1. Limited Three (3) Years warranty on Spa Shell
2. Limited One (1) Year warranty on the Whirlpool Pump
3. Limited One (1) Year warranty on the Clean Jet
4. Limited One (1) Year warranty on the Glass Bowl
5. Limited One (1) Year Part-Only warranty which covers the Hydraulic System, Discharge Pump, Massage System and All Electrical Component
6. T-spa will pay standard shipping charges on all replacement parts during the first 90 days of the stated Warranty Period. After 90 days the consumer is responsible for all labor and shipping costs incurred.

### EXECLUSIONS

1. Damage to pump parts and/or motor parts due to obstruction in plumbing lines etc.
2. Staining, fading or discoloration of plastic surfaces due to exposure and/or the use of harmful cleaning agents or chemicals.
3. Staining, fading or discoloration of the seat, armrest or footrest.
4. Staining, fading or discoloration caused by improper or poor water additives not related to the maintenance of proper water are not covered by this warranty.
5. Freight damage, misuse, neglect, accident, natural disaster and abuse.
6. Unauthorized repairs

### SERVICE

1. The dealer shall forward all warranty-related matters to our Customer Service Department
2. Serial Numbers and Original Invoice must accompany all warranty claims
3. Customers are responsible for shipping defective parts back to T-spa MFG, LLC. These parts must be packaged correctly in order to protect against any further damage.
4. All parts are to be shipped by UPS Ground Service, average 2-5 days
5. All defective parts must be shipped back to T-spa MFG, LLC within 30 days of receiving the new replacement parts or warranty will be void
6. Any warranty claim that cannot be determined over the phone, the customer must send photos
7. Any service performed on the product without T-spa MFG, LLC authorization will also void the Warranty
8. Each service call from the customer will be assigned a Claim Number. The Claim Number will stay open until the problem is resolved.

**No dealer or other person has any authority to bind T-spa MFG, LLC to changes or additions to this warranty or its products. Accordingly, T-spa MFG, LLC is not responsible for such warranties or representations.**

**QMTX.E472949  
Plumbing Accessories**[Page Bottom](#)

---

**Plumbing Accessories**[See General Information for Plumbing Accessories](#)

**T SPA MFG LLC**  
6001 Westline Dr  
HOUSTON, TX 77036 USA

E472949

**Pedicure Spa**, Model(s) T-200, T-300, T-700, T-800, T-900

[Last Updated](#) on 2015-01-28

---

[Questions?](#)[Print this page](#)[Terms of Use](#)[Page Top](#)

© 2016 UL LLC

The appearance of a company's name or product in this database does not in itself assure that products so identified have been manufactured under UL's Follow-Up Service. Only those products bearing the UL Mark should be considered to be Certified and covered under UL's Follow-Up Service. Always look for the Mark on the product.

UL permits the reproduction of the material contained in the Online Certification Directory subject to the following conditions: 1. The Guide Information, Assemblies, Constructions, Designs, Systems, and/or Certifications (files) must be presented in their entirety and in a non-misleading manner, without any manipulation of the data (or drawings). 2. The statement "Reprinted from the Online Certifications Directory with permission from UL" must appear adjacent to the extracted material. In addition, the reprinted material must include a copyright notice in the following format: "© 2016 UL LLC".

**LIMITED WARRANTY REGISTRATION FORM**

**IMPORTANT**

To validate the limited warranty, The Limited Warranty Registration Form **MUST** be filled out completely and return to T-SPA MFG, LLC within 30 days of original purchased date. This Limited Warranty is valid if T-SPA MFG, LLC received registration form

SERIAL NO.: T.....INVOICE #: .....

DATE OF PURCHASE: .....

YOUR EMAIL ADDRESS: .....

FULL NAME: .....

SALON NAME: .....

SALON ADDRESS: .....

CITY: ..... STATE: ..... ZIP CODE:.....

NAME OF DISTRIBUTOR: .....

CITY: .....STATE: ..... ZIP CODE: .....

Completed Warranty Registration Form To:

**T-SPA MFG, LLC  
10510-10520 KINGHURS  
ST, HOUSTON, TX  
77099  
EMAIL: info@tspallc.com**



**T-SPA MFG, LLC**

**10510-10520 KINGHURST ST  
HOUSTON, TX 77099**

1(888)508-8772

[WWW.TSPALLC.COM](http://WWW.TSPALLC.COM)