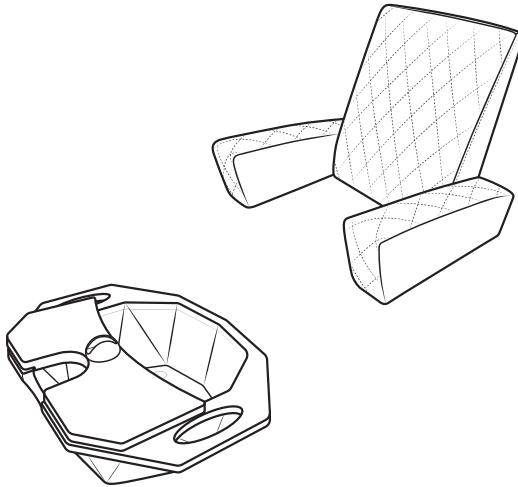




BriBri Pedicure Booster kit



User Manual

Adapt adult size pedicure units into
small units for children.



FEATURES

Allows to easily transform adult size nail salon units into small units for children.

Easily installed and removed for storage while not in use, saving space in salons that cannot accommodate children units.

Fits almost 90% of the regular size nail salon units on the market.

COMPONENTS

1 | Seat Booster

Allows children to sit comfortably in regular seats.

Acetone proof upholstery.

2 | Sink adapter

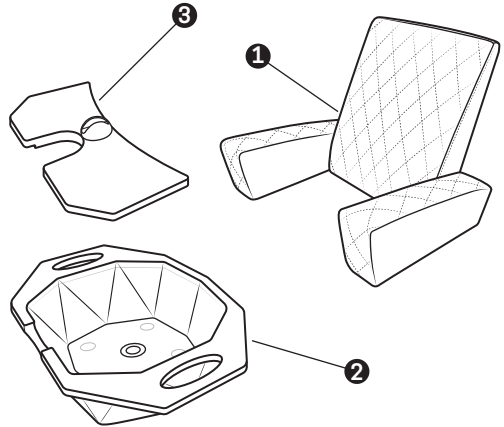
Elevates water to a height within children's reach.

Equipped with a drain system on the bottom that flushes directly into the regular sink.

Made of chemical and impact resistant resin, will not break by falling objects.

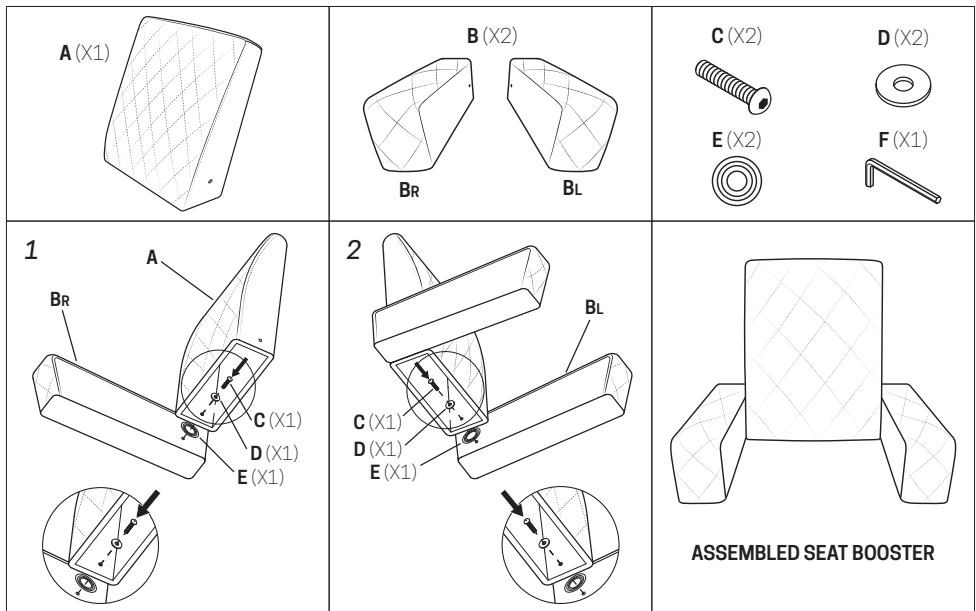
3 | Shower extension holder

Keeps the shower in place while filling the sink.



ASSEMBLY

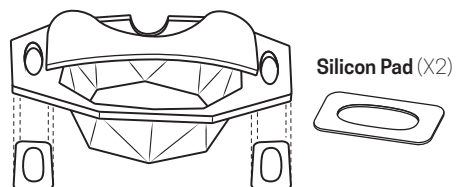
Seat Booster Assembly



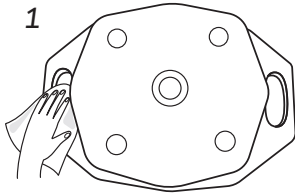
Silicon Pad Assembly

The booster kit includes a pair of silicon pads to help keep the sink adapter in place on top of your adult-size sink, while protecting your sink from getting scratched from continued use of the sink adapter.

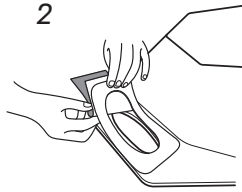
Follow these instruction to install the pads.



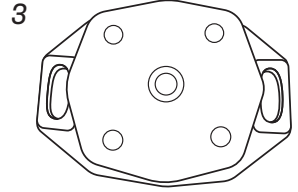
2 | BriBri Pedicure Booster Kit



1 Clean the surface under the handles for a maximum adhesion.



2 Stick the pads with care, ensuring a good alignment of the holes.

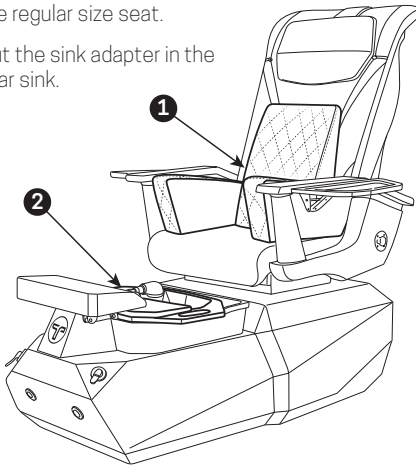


3 Sink adapter ready to use.

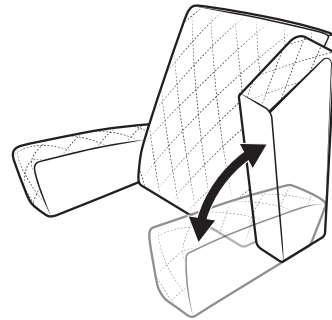
INSTALLATION AND USE

1 | Place the seat booster on top of the regular size seat.

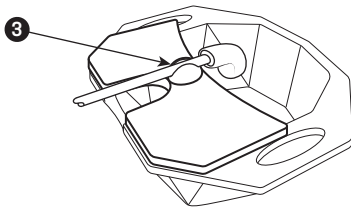
2 | Put the sink adapter in the regular sink.



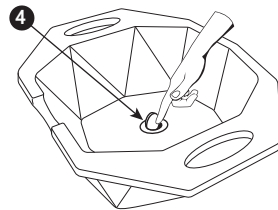
3 | Raise the armrests when not needed, or to facilitate storing the booster when not in use.



4 | Use the shower head holder to keep the shower in place while filling the sink.



5 | Flip the drain stopper to flush.



WARNINGS

- Weight capacity: 80 lb (36 kg).
- Suitable for children 13 years and older.
- Children using the booster must always be under adult supervision.
- Do not stand on the sink adapter.
- No massages on the booster.
- No vibration on the booster.
- Caution! Water coming from the shower can be hot.
- Accident risk! Never leave children alone using the booster, they may try to stand up or get out and hurt themselves.

MAINTENANCE RECOMMENDATIONS

After every service, clean the booster and sink adapter with a cleaning solution or sanitizer.

TECHNICAL SPECIFICATIONS

Dimensions	Seat booster: 21.5" W x 18" H x 15.5" D Sink adapter: 22.8" W x 7" H x 15.5" D
Weight	Seat booster: 8.6 lbs Sink adapter: 13.8 lbs
Sink capacity	50 Lbs
Age	5+ Years old
Auto-fill	No
Materials	Resin sink bowl
Pipe-less jet or magnet jet	No
Operation switch	No
Massage system	No
Discharge pump	No
Power sources	No
Drain button	Yes
Plumbing source	No
Certification	No
Importer	T-SPA MFG, LLC
Manufacturer	Anji Maochang Furniture Co.,LTD.

T-SPA[™]
WWW.TSPALLC.COM

T-SPA MFG, LLC
10510 Kinghurst Dr
Houston, TX 77099
1(888)508-8772
Info@tspallc.com