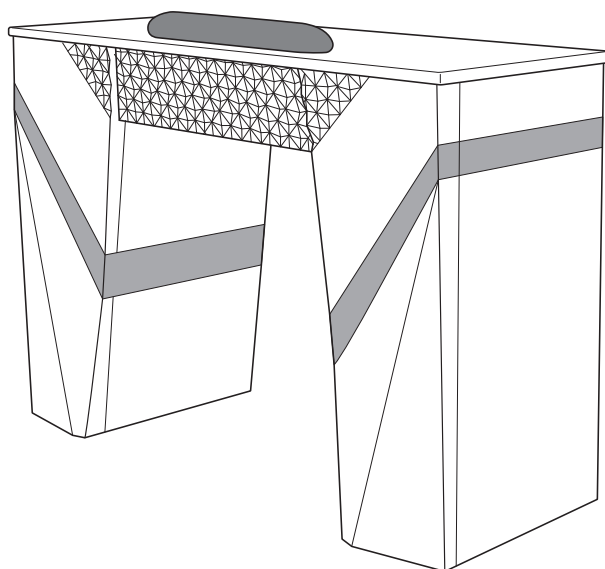




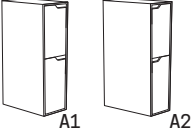
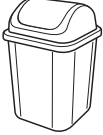

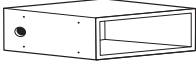




Onyx Single Table



User Manual

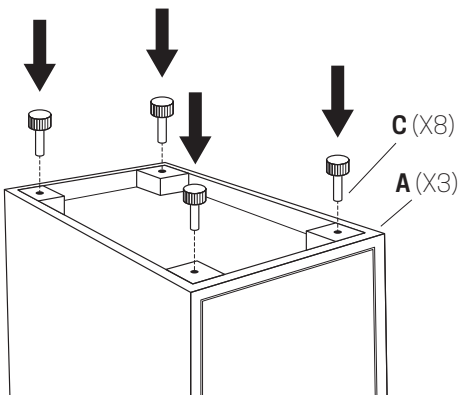
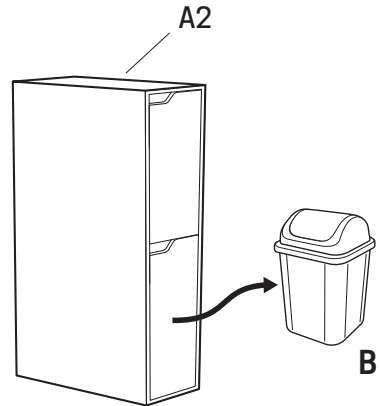
Ergonomic and elegant
manicure single table

ASSEMBLY

A (x2) <i>Table Legs</i> 	B (x1) <i>Trash Bin</i> 	C (x8) <i>Rubber Feet</i> 	D (x1) <i>Top Compartment</i> 
E (x8) <i>M3x6 Screw & Washer</i> 	F (x1) <i>Key Wrench</i> 	G (x1) <i>Countertop Stone</i> 	H (x1) <i>Hand Rest Cushion</i> 

1. Before starting assembly

Locate the Trash Bin (B) in the lower cabinet of the right leg (A2). All hardware required for assembly is stored inside the trash bin.

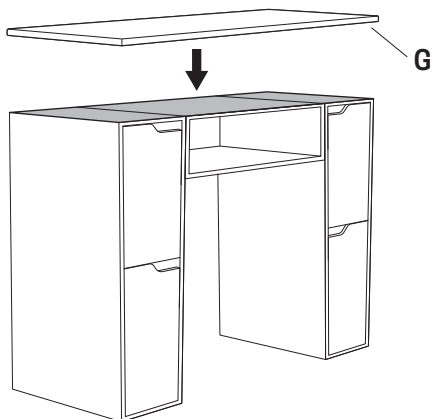
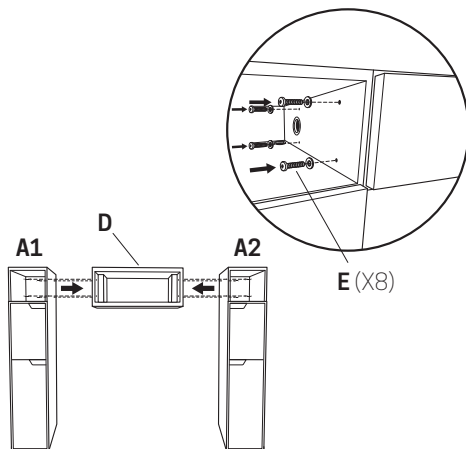


2. Attach Rubber Feet

Insert the Rubber Feet (C) into the 4 holes at the bottom of each Table Leg (A).

3. Assemble Legs to Top Compartment

Attach the left leg (A1) and right leg (A2) to the Top Compartment (D) using the Screws (E) and the Allen Key Wrench (F).

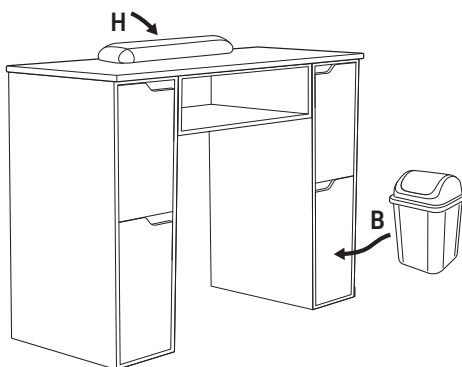


4. Recommended: Fasten Countertop

Fasten the Countertop Stone (G) to the top of the table using glue or silicon (not included).

5. Finished assembly

The table is now fully assembled. Remember to put the Trash Bin (B) back into the cabinet where it came and place the Hand Rest Cushion (H) on the Countertop.



FEATURES

1 | Elegant Design

Elevates your saloon style with an elegant design with quartz countertop and scratch-resistant fiberglass.

2 | Storage

Five cabinets and one open shelf to have everything you need close at hand.

3 | Trash Bin

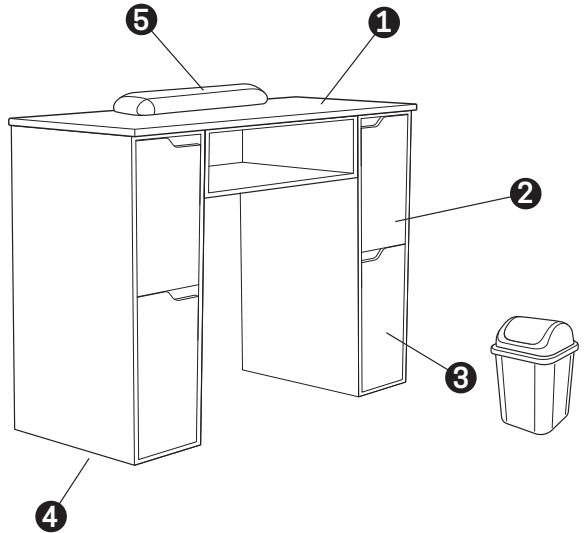
Includes a concealed trash bin cabinet to help maintain a clean and tidy workstation.

4 | Rubber Feet

Heavy duty rubber feet. Provide a stable support while protecting table and floor from scratches and wear.

5 | Hand Rest Cushion

PU, acetone resistant nail cushion accessory.



MAINTENANCE RECOMMENDATIONS

- Clean the table and all accessories after each service using an appropriate cleaning solution or sanitizer.
- With intensive, high-volume use, some components —such as cabinet hinges and rubber feet— may wear down over time. Perform regular inspections of the table and its components to detect early signs of wear, and replace parts as needed. Routine maintenance will help extend the product's lifespan.
- Heavy use may also cause the countertop surface to wear or become damaged over time. Do not service clients on a cracked, chipped, or peeling countertop, as this may cause injury. If the countertop shows signs of deterioration, please contact Customer Service to arrange repair or replacement.

T-Spa Customer Service: 888-508-8772



RISK OF ELECTRIC SHOCK

Use only indoors in dry locations.



STATE OF CALIFORNIA PROPOSITION 65 WARNING

Product may contain chemicals known to the State of California to cause cancer or reproductive harm. For more information, go to www.p65warnings.ca.gov

TECHNICAL SPECIFICATIONS		
Dimensions	Height	31" (79 cm)
	Length	43" (109 cm)
	Width	17" (43 cm)
Knee clearance width	20.75" (53 cm)	
Weight	157 lb (72 kg)	
Acetone resistant	Yes	
Color	White Fiberglass / Black Fiberglass	
Countertop material	Quartz	
Power outlet hub	No	
USB charger	No	
Assembly required	Yes (all required tools included)	
Trash bin	1 Included	
Hand rest cushion	1 Included	
Warranty	6 Months	

T-SPA®
WWW.TSPALLC.COM

T-SPA MFG, LLC
 10510 Kinghurst Dr
 Houston, TX 77099
 1(888)508-8772
 Info@tspallc.com